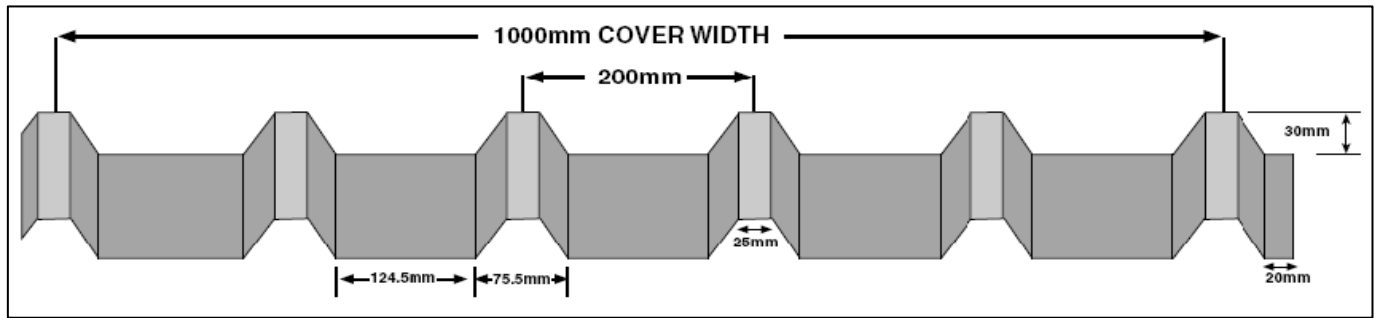


BRADCLAD 30 - ROOF PROFILE



LOAD SPAN TABLES

BRADCLAD 30 x 0.7mm STEEL									
SPAN IN METRES	IMPOSED LOAD						NEGATIVE LOAD		
	SINGLE		DOUBLE		MULTI		SINGLE	DOUBLE	MULTI
	DEFLECTION LIMIT						DEFLECTION LIMIT		
	L/100	L/150	L/100	L/150	L/100	L/150	L/100	L/100	L/100
1.25	6.74	4.49	16.16	10.78	12.73	8.48	4.99	11.96	9.42
1.50	3.90	2.60	9.35	6.24	7.37	4.91	2.89	6.92	5.45
1.75	2.46	1.64	5.89	3.93	4.64	3.09	1.85	4.36	3.43
2.00	1.65	1.10	3.95	2.63	3.11	2.07	1.28	2.92	2.31
2.25	1.16	0.77	2.77	1.85	2.18	1.45	0.92	2.07	1.68
2.50	0.84	0.56	2.02	1.35	1.59	1.06	0.68	1.55	1.25
2.75	0.63	0.42	1.52	1.01	1.20	0.80	0.52	1.19	0.95
3.00	0.49	0.33	1.17	0.78	0.92	0.61	0.40	0.93	0.74

BRADCLAD 30 x 0.5mm STEEL									
SPAN IN METRES	IMPOSED LOAD						NEGATIVE LOAD		
	SINGLE		DOUBLE		MULTI		SINGLE	DOUBLE	MULTI
	DEFLECTION LIMIT						DEFLECTION LIMIT		
	L/100	L/150	L/100	L/150	L/100	L/150	L/100	L/100	L/100
1.25	4.70	3.13	11.27	7.51	8.87	5.92	3.14	7.54	5.94
1.50	2.72	1.81	6.62	4.35	5.14	3.42	1.82	4.36	3.44
1.75	1.71	1.14	4.11	2.74	3.23	2.16	1.15	2.75	2.16
2.00	1.15	0.76	2.75	1.83	2.17	1.44	0.80	1.84	1.45
2.25	0.81	0.54	1.93	1.29	1.52	1.01	0.57	1.29	1.04
2.50	0.59	0.39	1.41	0.94	1.11	0.74	0.43	0.96	0.78
2.75	0.44	0.29	1.06	0.71	0.83	0.56	0.33	0.74	0.60
3.00	0.34	0.23	0.82	0.54	0.64	0.43	0.25	0.58	0.47

NOTE: THE TABLES SHOW BLANKET LOADS [KN/m²] IN ACCORDANCE WITH EUROPEAN RECOMMENDATIONS

YORKSHIRE METAL ROOFING LTD, THE OLD STATION YARD, NIDD, HARROGATE, HG3 3BN

Tel: 01423 779555 Fax: 01423 779666 E-mail: info@yorkshiremetalroofing.co.uk